

LED FLEX IN TW 2757

21031 0010



LED STRIP 2x14,4W/m // CRI>90 // 2x 1350lm/m // 180 x DUAL DICE IN ONE SMD LED/m
 DIVIDABLE PER 33.3mm / 6 LED's
 INCL. 20 MOUNTING BRACKETS
 EXCL.LED POWER SUPPLY 24V-DC
 MAX.5m
 MIN. BEND RADIUS 25mm
 MIN. BEND DIAMETER 50mm
 NON REPLACEABLE LEDS

Class:	III	
Weigth:	0.2 KG	
Protection level:	IP20	
Minimum Distance	33.3mm	
Options:	300 90 331	RGB DRIVER
	300 89 24 150	LED POWER SUPPLY 24V-DC / 150W
	300 89 24 20	LED POWER SUPPLY 24V-DC / 20W
	300 89 24 40	LED POWER SUPPLY 24V-DC / 40W
	300 89 24 60	LED POWER SUPPLY 24V-DC / 60W
	300 90 143	LED RGBW REPEATER 12-24V-DC / 4CH / 4x8A
	300 90 332	TUNABLE WHITE TOUCH CONTROLLER DMX

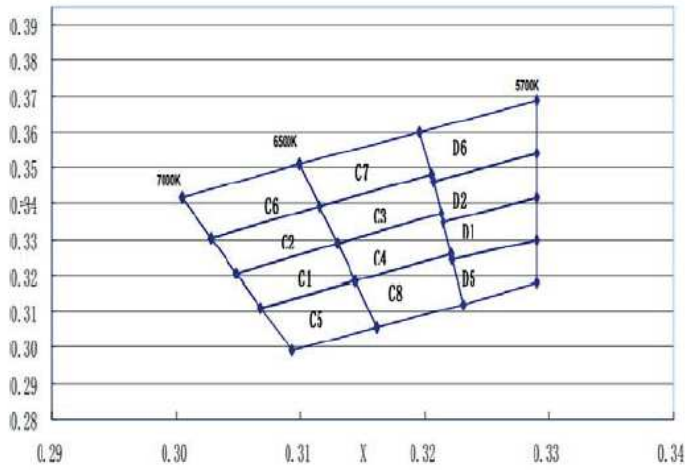
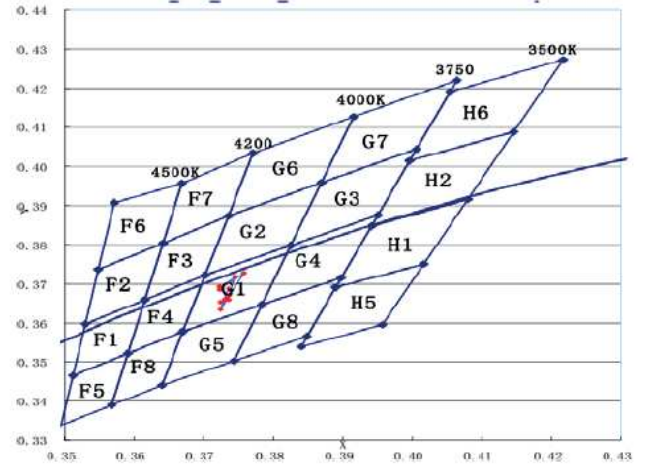
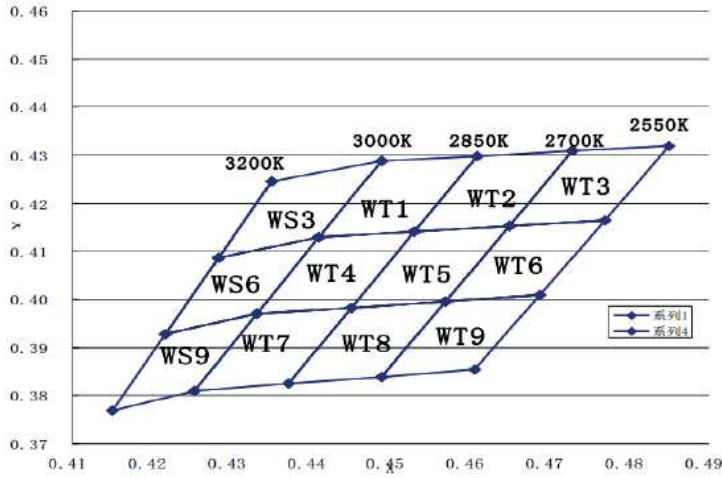
TECHNICAL DATA

ITEM	UNIT	DATA	ITEM	UNIT	DATA
LED Type	/	SMD 3527	LED quantity / m	PCS	180
LED Brand	/	Epistar or equivalent	LED power dissipation / m	W	21,6
Beam angle	201/2	120°	STRIP power dissipation / m	W	28,6
PCB type	Type	1+ 2oz copper / 10mm Wide	Luminous flux (Typical)	lm/m	2600
Length	M	1	Efficacy (3000K)	lm/W	90
Protection degree	IP	IP20	Operating voltage	V-DC	24
Tape	/	3M 4229P	Operating current / ù	A	1,2
Color	/	WW/CW	Ta (Ambient temperature)	°C	-20°C~60°C
	2700K	WW(2400K-2700K) X=0.4657 Y=0.4010	Tc (Surface temperature)	°C	MAX. 67°C
	6000K	CW(5700K-6500K) X=0.3290 Y=0.3417	Heatsing	cm ² /m	864
			Waranty period	Year	3
			Lifetime	Hr	30000
			CRI	Ra	≥80

Color rendering index (CRI): (Sample test results)

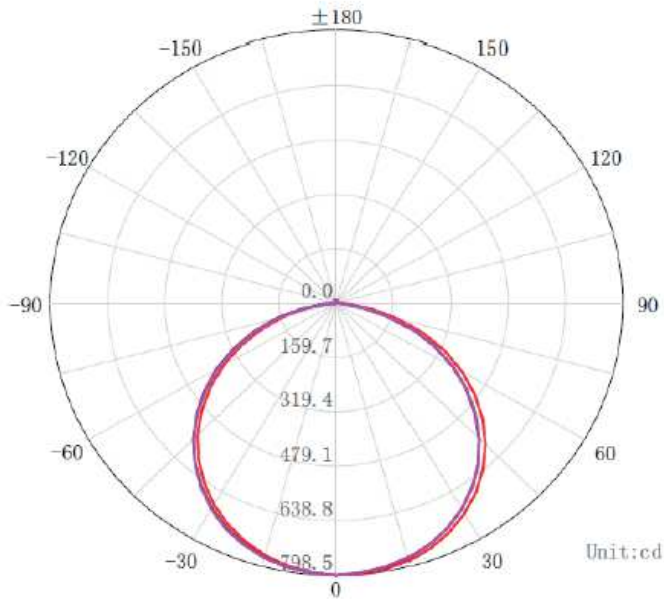
<i>R1</i>	<i>R2</i>	<i>R3</i>	<i>R4</i>	<i>R5</i>	<i>R6</i>	<i>R7</i>	<i>R8</i>	<i>R9</i>	<i>R10</i>	<i>R11</i>	<i>R12</i>	<i>R13</i>	<i>R14</i>	<i>R15</i>	<i>CCT</i>
85	97	90	81	86	95	78	57	13	92	81	81	88	96	77	2500K
86	93	93	85	85	85	87	73	21	79	84	59	89	97	84	6000K
90	97	95	86	90	91	84	72	36	92	85	71	93	99	88	2500+6000K

X,Y Chromacity co-ordinates



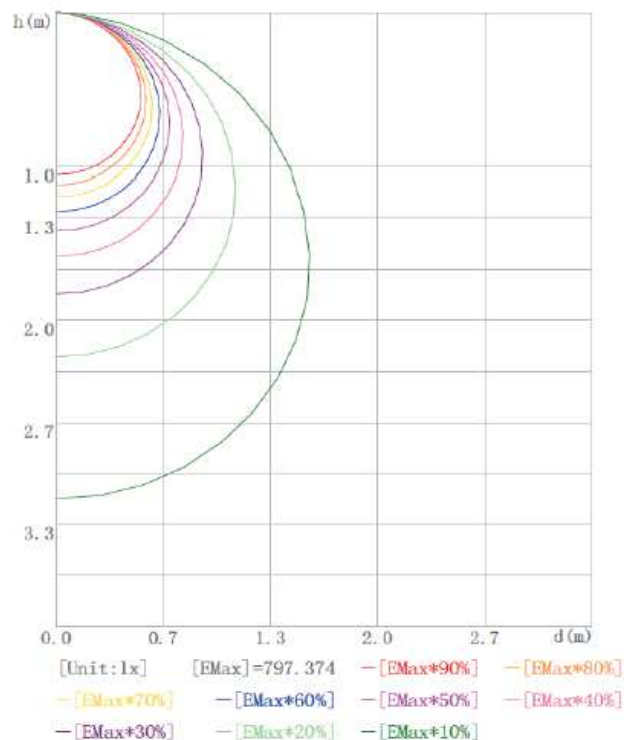
Photometric code (1m)

C Plane Distribution Diagram

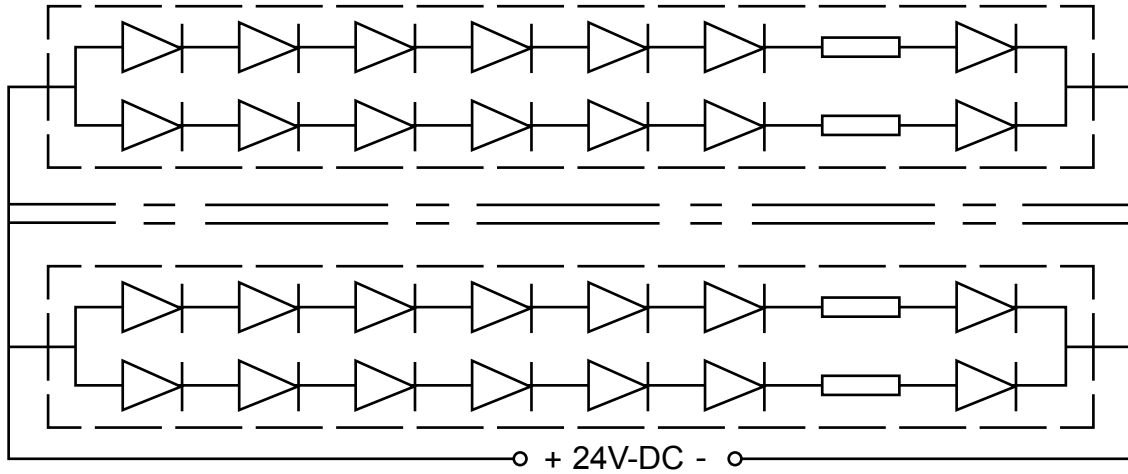


C Plane	[50%MaxAng.]	[10%MaxAng.]
C337.5 157.5:	117.4	161.9
C0.0 180.0 :	117.0	161.6
C90.0 270.0 :	116.6	161.2

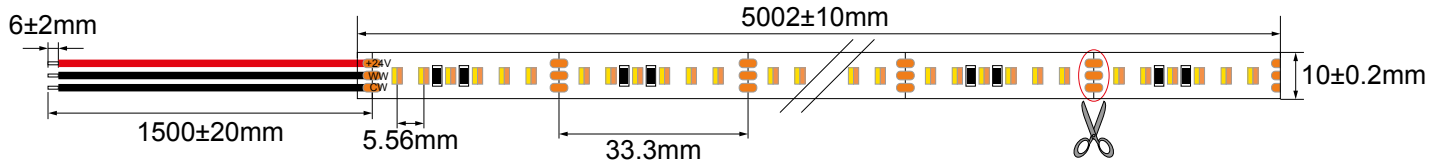
C0 Space ISO Illuminance Curve



Layout



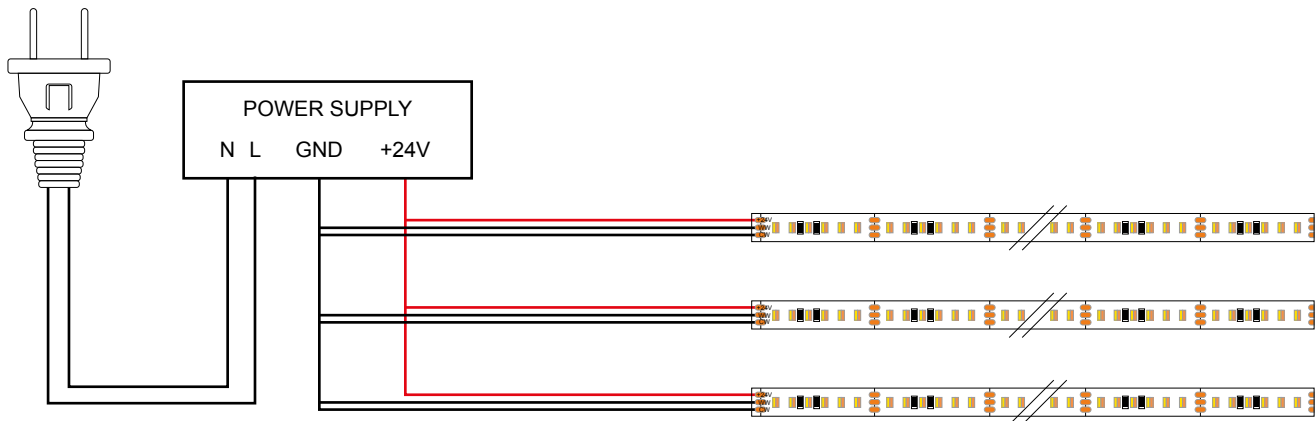
Outline Drawing



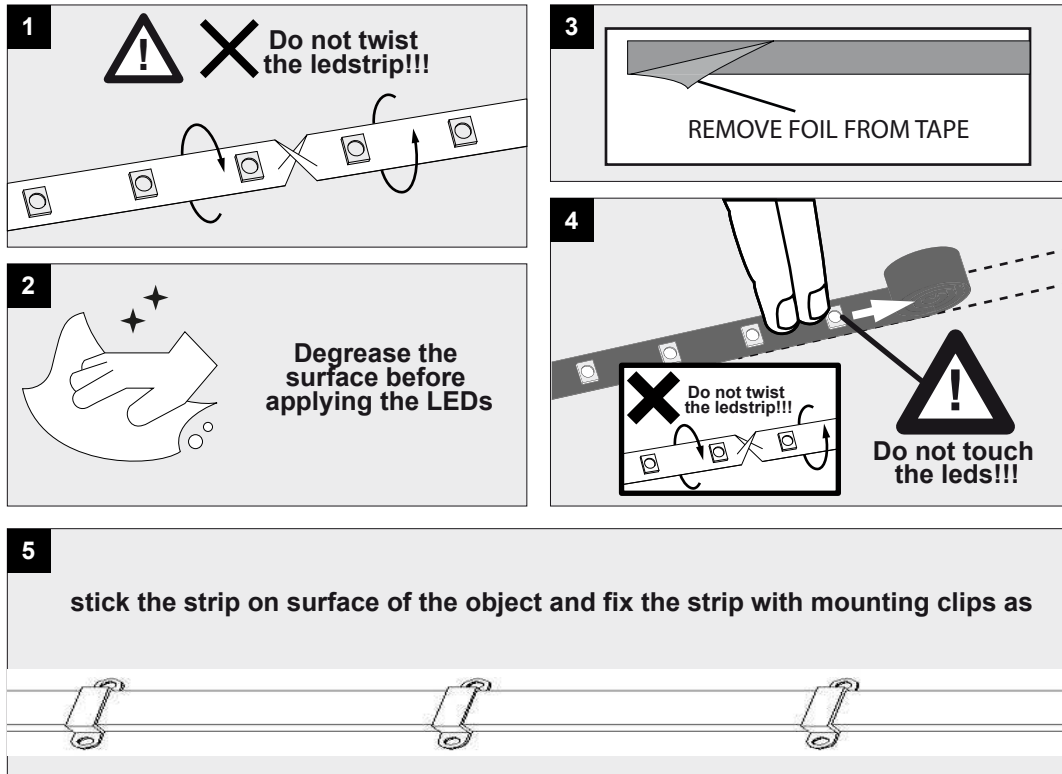
Wire spec: UL style-1569 PVC 300V 105° (AWG 22) 1.5M (red & black)



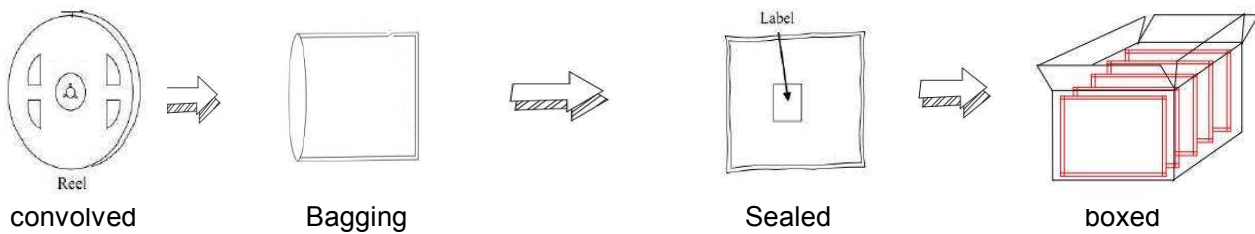
Connection Diagram



Mounting



Package 5m



Warning

- ★ Do not cut the strip while connecting to the power supply.
- ★ Do not connect to power higher than the rated voltage.
- ★ Do not twist the strip
- ★ Do not pull the strip
- ★ The LEDs are not replaceable
- ★ The minimal bending radius : 25 mm, diameter = 50 mm
- ★ Do not connect the LED strip with reversed voltage polarity

Notice

- ※ Power supply used has to be with suitable voltage and current.
- ※ On lighting up the strip, please use power supply with 20% more power rating than the strip's power consumption.