

LED FLEX OUT RGB

300 91 63 33



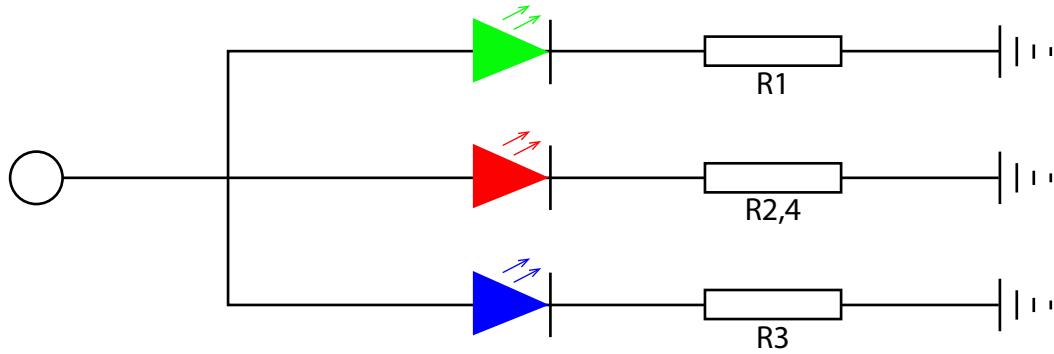
LED STRIP 14,4W / m // CRI>90 // 700lm/m // 60 SMD LED/m
 DIVIDABLE PER 100mm
 INCL. 20 MOUNTING BRACKETS
 EXCL.LED POWER SUPPLY 24V-DC
 MAX.5m
 MIN. BEND RADIUS 25mm
 MIN. BEND DIAMETER 50mm
 NON REPLACEABLE LEDS

Class:	III	
Weigth:	0.2 KG	
Protection level:	IP65	
Minimum Distance	100mm	
Options:	300 90 331	RGB DRIVER
	300 89 24 150	LED POWER SUPPLY 24V-DC / 150W
	300 89 24 20	LED POWER SUPPLY 24V-DC / 20W
	300 89 24 40	LED POWER SUPPLY 24V-DC / 40W
	300 89 24 60	LED POWER SUPPLY 24V-DC / 60W
	300 92 93 04	LED FLEX IN RGB SUPPLY CABLE SET
	300 92 93 05	LED FLEX IN RGB CONNECTION SET
	300 92 93 06	LED FLEX IN RGB CONNECTION CLIP SET

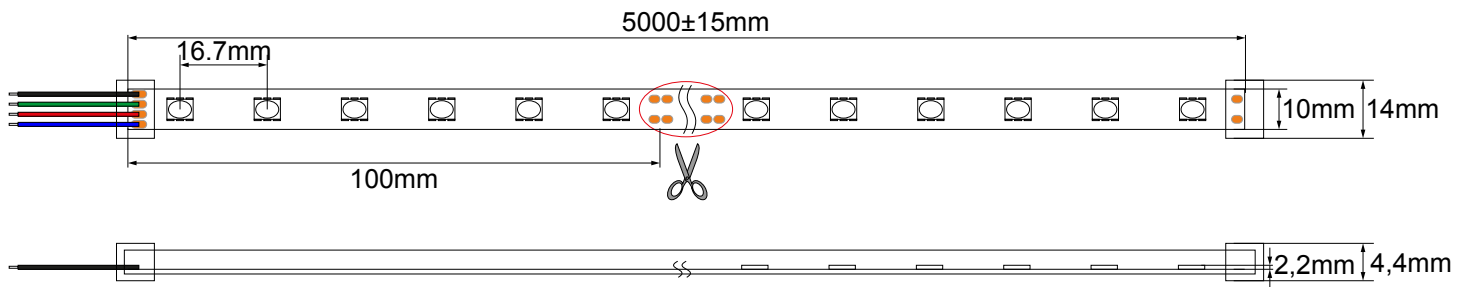
TECHNICAL DATA

ITEM	UNIT	DATA		ITEM	UNIT	DATA
LED Type	/	RGB SMD LED		LED quantity / m	PCS	60
LED Brand	/	Epistar dice or equivalent		LED power dissipation / m	W	9.6
Beam angle	201/2	120°		STRIP power dissipation / m	W	14.4
PCB type	Type	/		Luminous flux (Typical)	lm/m	550-700
Length	M	1		Efficacy (3000K)	lm/W	/
Protection degree	IP	IP65		Operating voltage	V-DC	24
Tape	/	3M 9495 200MP		Operating current / ù	A	1
Color	/	RGB		Ta (Ambient temperature)	°C	-20°C~70°C
	RED	620-630nm	48lm/w	Tc (Surface temperature)	°C	-20°C~60°C
	GREEN	515-525nm	48lm/w	Heatsing	cm ² /m	432
	BLUE	465-475nm	48lm/w	Waranty period	Year	2
				Lifetime	Hr	30000
				CRI	Ra	/

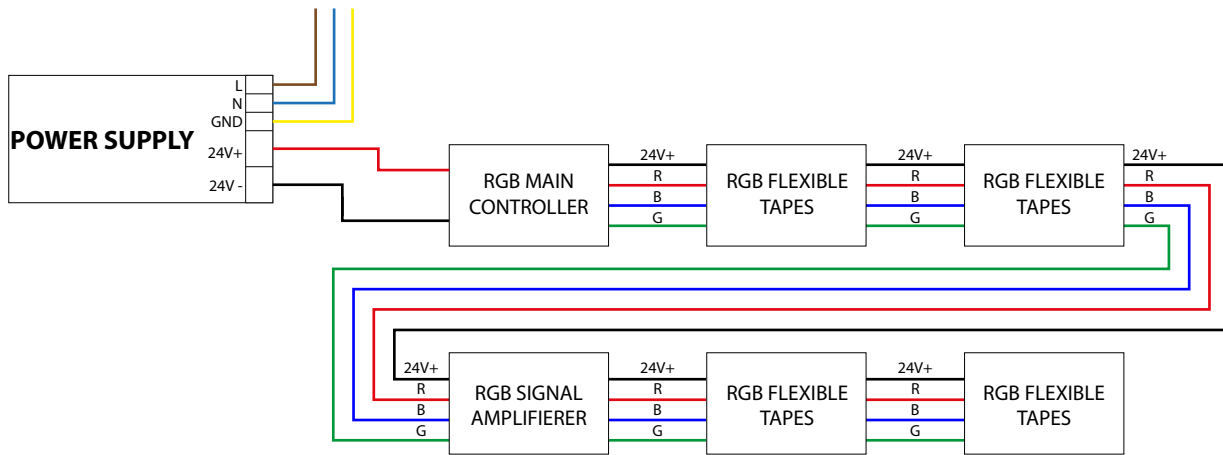
Layout



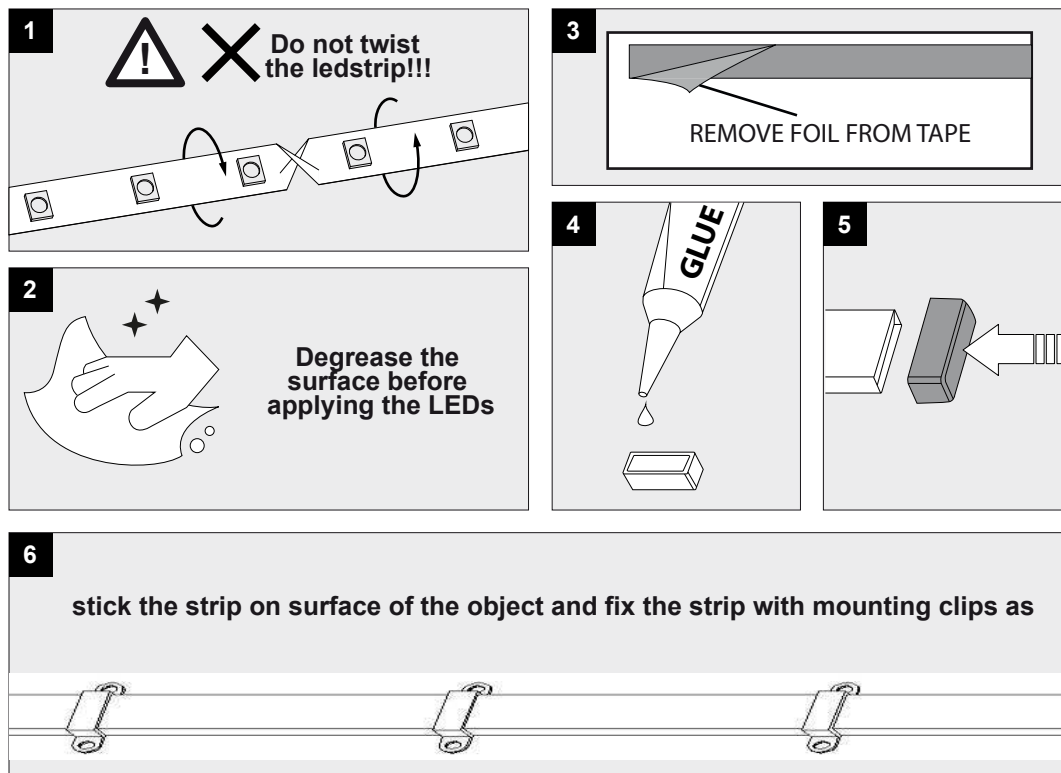
Outline Drawing



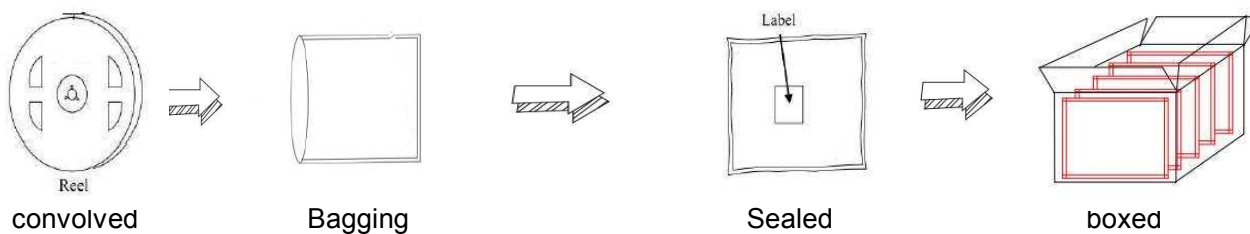
Connection Diagram



Mounting



Package 5m



Warning

- ★ Do not cut the strip while connecting to the power supply.
- ★ Do not connect to power higher than the rated voltage.
- ★ Do not twist the strip
- ★ Do not pull the strip
- ★ The LEDs are not replaceable
- ★ The minimal bending radius : 25 mm, diameter = 50 mm
- ★ Do not connect the LED strip with reversed voltage polarity

Notice

- ※ Power supply used has to be with suitable voltage and current.
- ※ On lighting up the strip, please use power supply with 20% more power rating than the strip's power consumption.